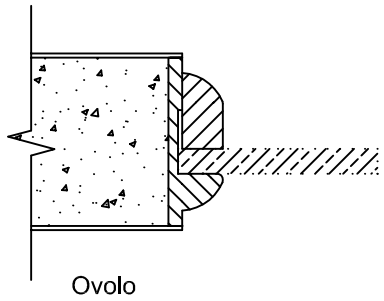
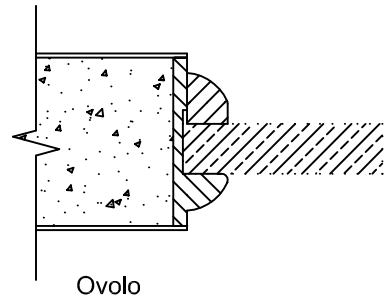


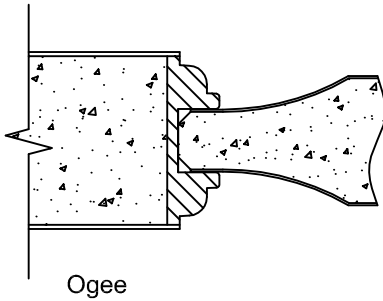
Ovolo



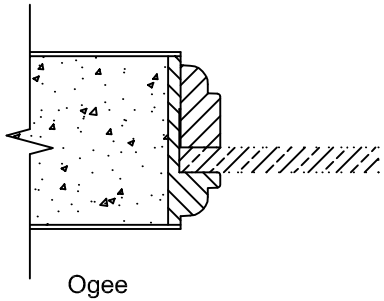
Ovolo



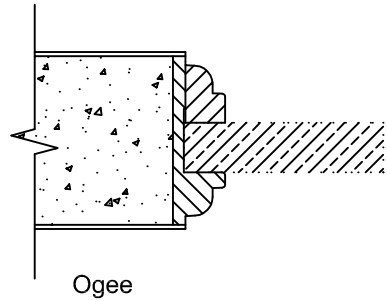
Ovolo



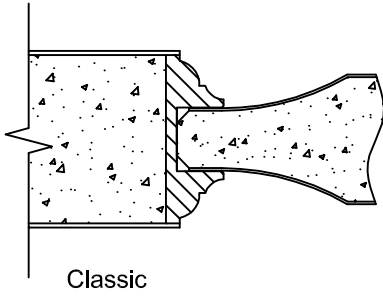
Ogee



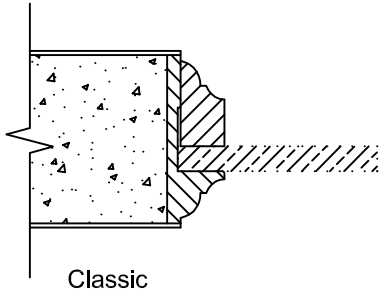
Ogee



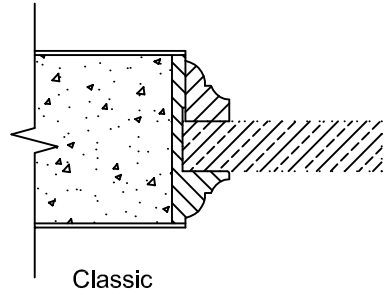
Ogee



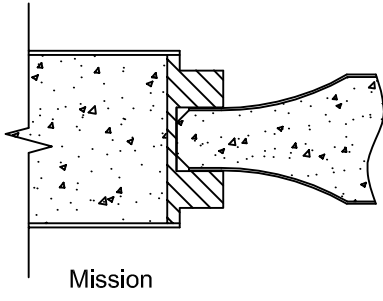
Classic



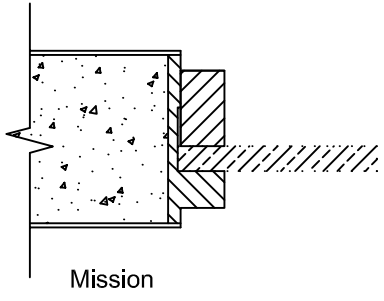
Classic



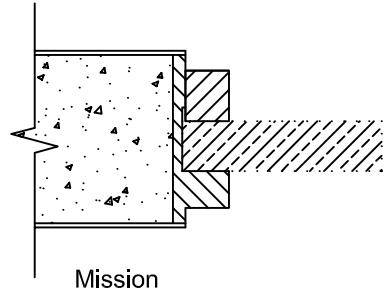
Classic



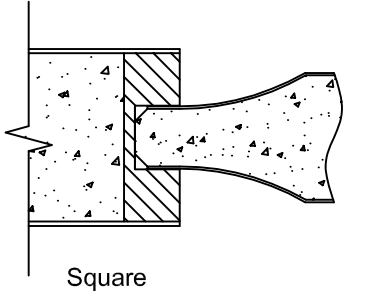
Mission



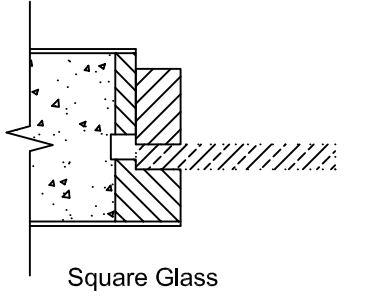
Mission



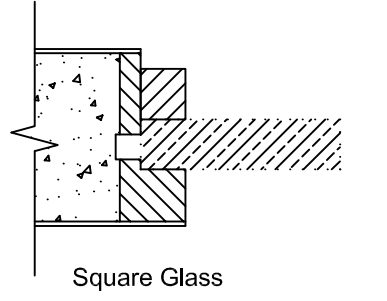
Mission



Square



Square Glass



Square Glass

COPYRIGHT 2009 KARONA, INC. THIS DRAWING IS THE PROPERTY OF KARONA INC AND EMBODIES CONFIDENTIAL INFORMATION, TRADE SECRET INFORMATION AND/OR KNOW- HOW WHICH IS THE PROPERTY OF KARONA INC. BY ACCEPTING THIS DRAWING, THE RECIPIENT AGREES NOT TO PROVIDE, OR OTHERWISE MAKE AVAILABLE, THE DRAWING, OR ANY INFORMATION OR KNOW-HOW EMBODIED THERE-IN, TO ANY THIRD PARTY WITHOUT PRIOR WRITTEN AUTHORIZATION FROM KARONA, INC.				Approval	
				<input checked="" type="checkbox"/>	
Description				Date:	
KARONA, INC.				KARONA P.O. BOX 888410 CALEDONIA, MI 49316	
Drawn by	Thickness	UNLESS OTHERWISE SPEC. TOLERANCES ARE:		Quantity	Speeds
DJJ	NA	.000 + .020		NA	NA
Date	Model	FRACTIONS 1/32		Order	
06/25/09	NA	ANGLES 1°		Standard Profiles	
Scale	Stoking				
N/A	NA				